

Model :

Chamotte vault

Materials :

Refractory concrete
Alumina-fortified cement with metal fibres

Parts :

Floor thickness walls 60 : 2 parts
Vault thickness walls 40 : 3 parts
Brick arch

Characteristics :

Cooking chamber : 0,83 m²
Weight : 277 kg

Power used :

example with beech (20% humidity)

Pre firing 2h : 13.5 kg wood or 0.032 m³ = 54 kW
Cooking with the door opened : 3,4 kg wood/h or 0.008 m³/h = 13.5 kW/h

Power going through the walls with the advised insulation: 0,8 kW/h
Radiation power (through the door) : 1,9 kW/h

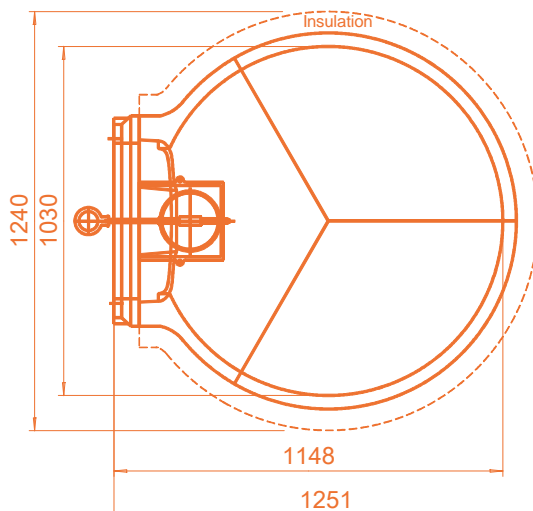
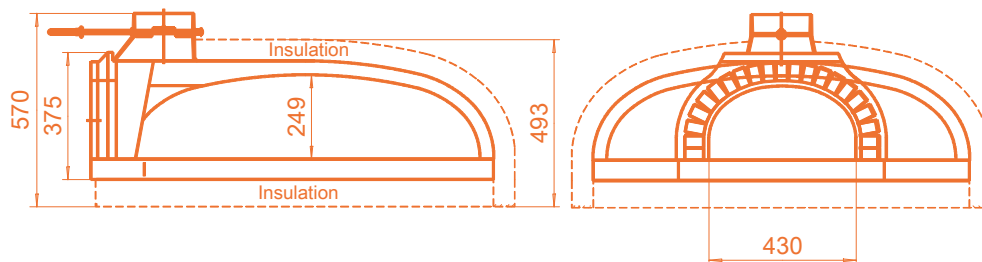
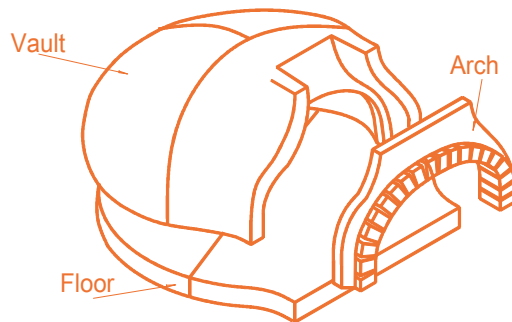
Average fresh air consumption : 215 m³/h at 20 °C
Minimal smoke pipe : Height 3m , Part: 314 cm² / Ø200 mm
Flue connector in conformity with standard EN1856-2

Smoke temperature :

For oven stoves: 175°C

Maximum temperature for the cooking :

500°C



Equipment :

Included in the version "with equipment" :

- Complete insulation
- Cast iron door AC6
- Insulating refractory door AC1R
- Flue connector and connection part
- Straps to fasten the oven

Option :

- Steel table
- Stainless steel decoration
- Hood AC110
- Exhaust pipe with insulation



FOUR GRAND-MÈRE
— Le temps du bon ! —